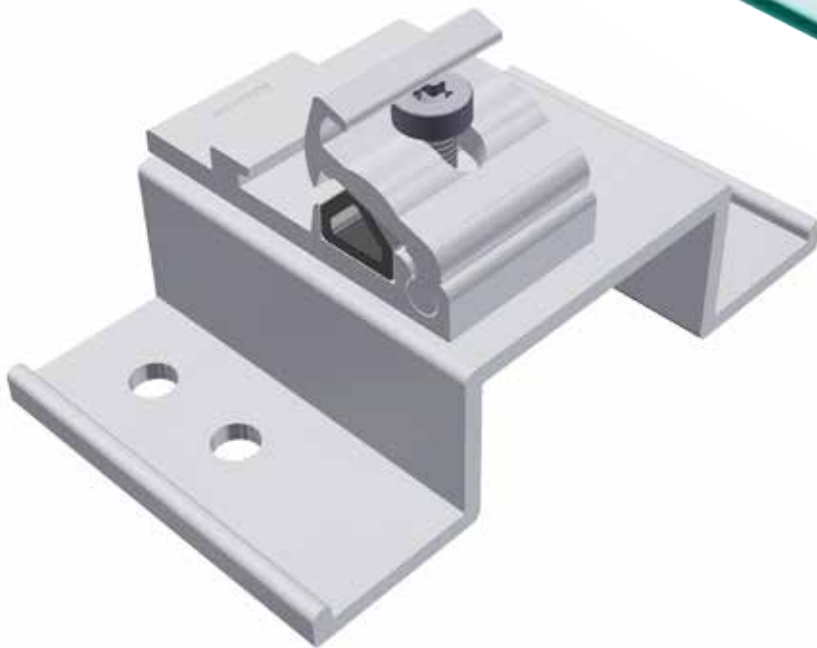


SCHLETTER
The Solar Mounting Group

FIX T-K

PRODUCT SHEET



FIX T-K

The universal fastener for bitumen roofing with solid cladding on solid, level substructures

With Fix T-K, photovoltaic modules can be laid both horizontally and vertically on the roof surface. Additionally available self-adhesive EPDM seal and corresponding screws with gaskets ensure rain safety. Fix T-K is especially suitable for installation on older structures, because no shingles have to be removed.

- suitable for steep roofs with bitumen cladding
- quickly adaptable for fastening from above
- no need to remove bitumen shingles
- system statics verification through Schletter Configurator (without fasteners)
- a universal fastening option for many types of substructures (such as wood, concrete, steel, etc.) and in connection with our various module-bearing profiles



INSTRUCTIONS

- The roof must be able to take the additional load of the PV system.
- The wooden cladding must be fastened well enough to absorb the wind suction forces.
- For use on level concrete surfaces, a separating layer with the self-adhesive EPDM seal is recommended for preventing contact corrosion.

STATICS INSTRUCTIONS

- Fix T-K's load bearing capacity on wooden cladding can be found in Schletter's general system statics.
- Regarding the maximum snow load, it should be considered that the PV system's surface weight must additionally be taken on by the roof covering (individual verification sometimes required).

ITEM NUMBER

119014-012 Fix T-K with KlickTop



Accessories:

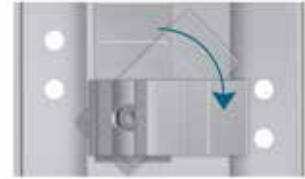
973000-041 EPDM rubber self-adhesive 48 mm wide, 50 m rolls



Suitable screws with a seal for fastening Fix T-K are available from screw suppliers.

TECHNICAL DATA

Material Base beam: aluminum
KlickTop screw: stainless steel



Use The module support profile can be installed horizontally or vertically by turning the KlickTop 90° on the base beam.

For more information, see www.schletter-group.com

SCHLETTER SOLAR GMBH

Alustraße 1
83527 Kirchdorf
GERMANY

www.schletter-group.com

