

# AMTRON<sup>®</sup> START E, STANDARD E, BASIC E/R

WALLBOX FOR ELECTRIC VEHICLES



MENNEKES AMTRON<sup>®</sup> is a wallbox designed for private and semi-public use e.g. company car parks, depots or private properties.

# Variants

	Key switch	Key switch	Key switch	
		Calibrated digital energy meter	Calibrated digital energy meter	
			Personal protection	
LED status display Stop button	LED status display Reset function button	LED status display Reset function button	LED status display Multifunction button	
<b>Start E</b>	<b>Standard E</b>	<b>Basic E</b>	<b>Basic R</b>	
<b>Charging socket type 2 (version „T2“)</b>				
order nr.	order nr.	order nr.	order nr.	
<b>3,7 kW</b> 1350400 <b>11 kW</b> 1350401	<b>3,7 / 7,4 kW</b> 1358400 <b>11 / 22 kW</b> 1358401	<b>3,7 / 7,4 kW</b> 1353400 <b>11 / 22 kW</b> 1353401	<b>11 kW</b> 1353451	
<b>Charging socket with shutter (version „T2S“)</b>				
order nr.	order nr.	order nr.	order nr.	
<b>3,7kW</b> 1340680 <b>11 kW</b> 1340681	<b>3,7 / 7,4 kW</b> 1358600 <b>11 / 22 kW</b> 1358601	<b>3,7 / 7,4 kW</b> 1353600 <b>11 / 22 kW</b> 1353601	<b>3,7 / 7,4 kW</b> 1343680 <b>11 kW</b> 1343681	
<b>Permanently connected charging cable with connector type 2 (version „C2“)</b>				
order nr.	order nr.	order nr.	order nr.	
<b>3,7 kW</b> 1350200 <b>22 kW</b> 1350202	<b>7,4 kW</b> 1358203 <b>22 kW</b> 1358202	<b>7,4 kW</b> 1353203 <b>22 kW</b> 1353202	<b>22 kW</b> 1353252	
<b>Permanently connected charging cable with connector type 1 (version „C1“)</b>				
order nr.	order nr.	order nr.	order nr.	
<b>3,7 kW</b> 1350100	<b>3,7 kW</b> 1358100	<b>3,7 kW</b> 1353100		

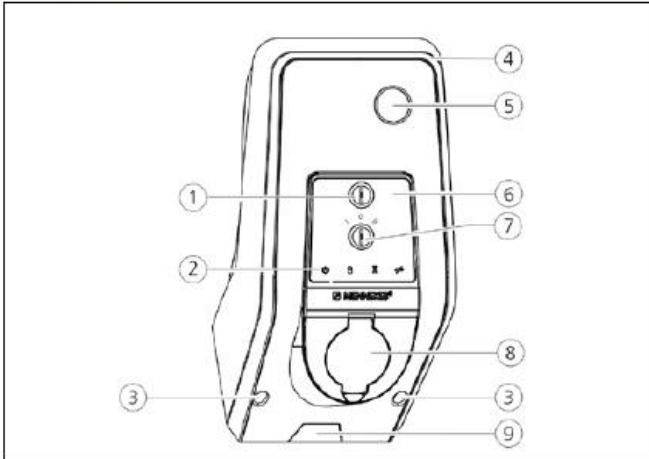


## Product features

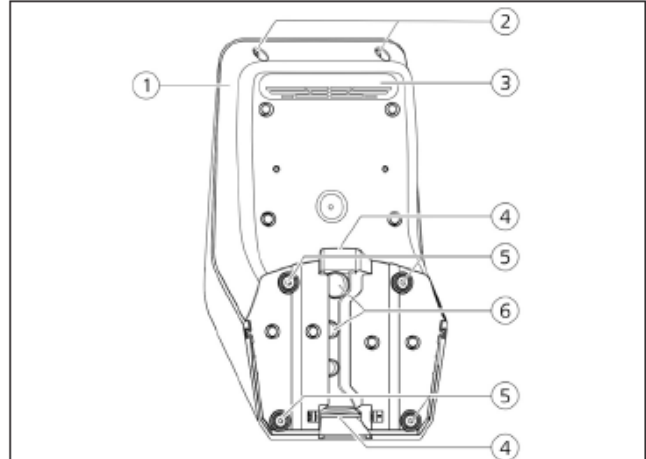
- Charging acc. Mode 3 (IEC 61851)
- Vehicle connectors and charging socket acc. IEC 62196
- Integrated cable suspension
- Charging capacity up to 22kW
  
- Versions:
  - Charging socket type 2
  - Permanently connected charging cable with connector type 2 (7.5m length)
  - Permanently connected charging cable with connector type 1 (7.5m length)
  
- Status information through LED info bar
  
- Multifunction button
  - Stop function (adjustable parameters; deactivated by default)
  - Reset function
  - RCD test (only with integrated RCD)  
Re-activating of RCD (only with integrated RCD)
  
- Unlocking function in case of power failure (only for devices with charging socket type 2)
  
- Enclosure made of AMELAN®
  
- Ready wired for installation

# Assembly

Front view



Rear view



1. Multifunction button or stop button <sup>1)</sup>
2. LED Info bar
3. Fastening screws für upper housing part
4. Upper enclosure section
5. Energy meter with inspection window <sup>2)</sup>
6. Front panel
7. Key switch <sup>3)</sup>
8. Charging socket type 2 with hinged lid <sup>4)</sup> or shutter <sup>5)</sup>
9. Pre-cut recess for supply cable /cable duct <sup>6)</sup>

1. Base part
2. Fastening screws for upper housing part
3. Passive ventilation
4. Recess for supply line/ cable duct
5. Fastening holes
6. Cable entries

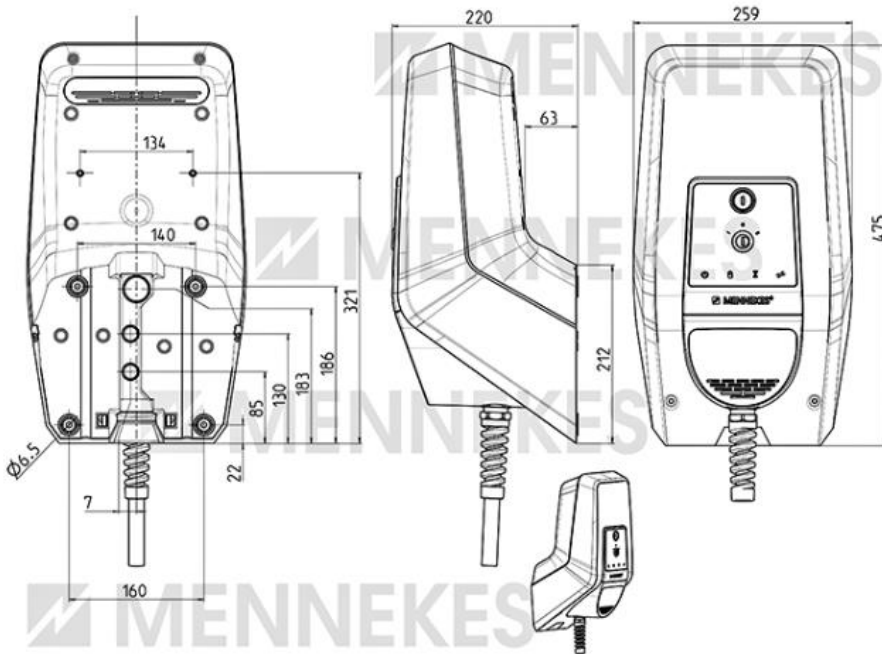
- 1) Multifunktion button only for Basic R variant, stop button only for Start E variant, reset funktion for Standard E and Basic E variant,
- 2) Only for Basic variants
- 3) Not for Start E variant
- 4) Only for version „T2“
- 5) Only for version „T2S“
- 6) Only for versions „C1“ and „C2“

# Technical data

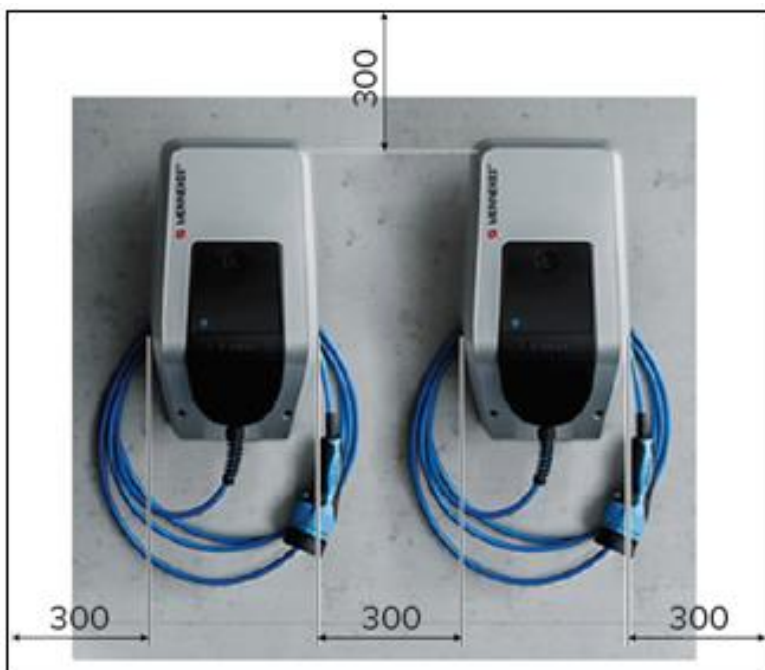
<b>Charging power Mode 3 [kW]</b>	<b>3,7</b>	<b>7,4</b>	<b>11</b>	<b>22</b>	
Rated voltage $U_N$ [V] AC $\pm 10\%$	230	230	400	400	
Rated frequency $f_N$ [Hz]	50				
Rated Current $I_{rA}$ [A]	16	32	16	32	
Max. back-up fuse [A]	According to type label/ configuration				
Degree of protection	<ul style="list-style-type: none"> <li>▪ permanently attached charging cable : IP 44</li> <li>▪ charging socket type 2 with hinged lid : IP 54</li> </ul>				
Protection class	II				
Dimensions H x W x D [mm]	475 x 259 x 220				
Weight [kg]	5-8,5				
Rated insulation voltage $U_i$ [V]	500				
Rated impulse withstand voltage $U_{imp}$ [kV]	4				
Charging current Mode 3 $I_{rC}$ [A]	16 1 ph	32 1ph	16 3 ph	32 3 ph	
Rated short circuit current $I_{cc}$ [kA]	10				
Rated diversity factor RDF	1				
Pollution degree	3				
Overvoltage category	III				
Earth system	TN/TT				
Setting up	Indoor or outdoor				
Condition of installation	Stationary equipment				
Usage	ACSEV				
Mounting method	Wall mounting, surface mounting				
EMC classification	A+B				
Resistance to mechanical impact	IK 10				
Terminal strip supply line	Nominal cross section [mm <sup>2</sup> ]	3x6	3x10	5x6	5x10
	Rated cross section [mm <sup>2</sup> ]	rigid 3x6 flexible 3x4	rigid 3x10 flexible 3x6	rigid 5x6 flexible 5x4	rigid 5x10 flexible 5x6
	Tightening torque [Nm]	max. 0,8/ 1,8	max. 1,8	max. 0,8/ 1,8	max. 1,8
Standard	IEC 61851, DIN IEC / TS 61439-7				

<b>Environmental conditions</b>	
Ambient air temperature	-25...+40 °C
Average temperature within 24 hours	< 35 °C
Altitude	Max. 2000m above sea level
Relative humidity	Max. 95 % (non-condensing)

## Dimensions [mm]



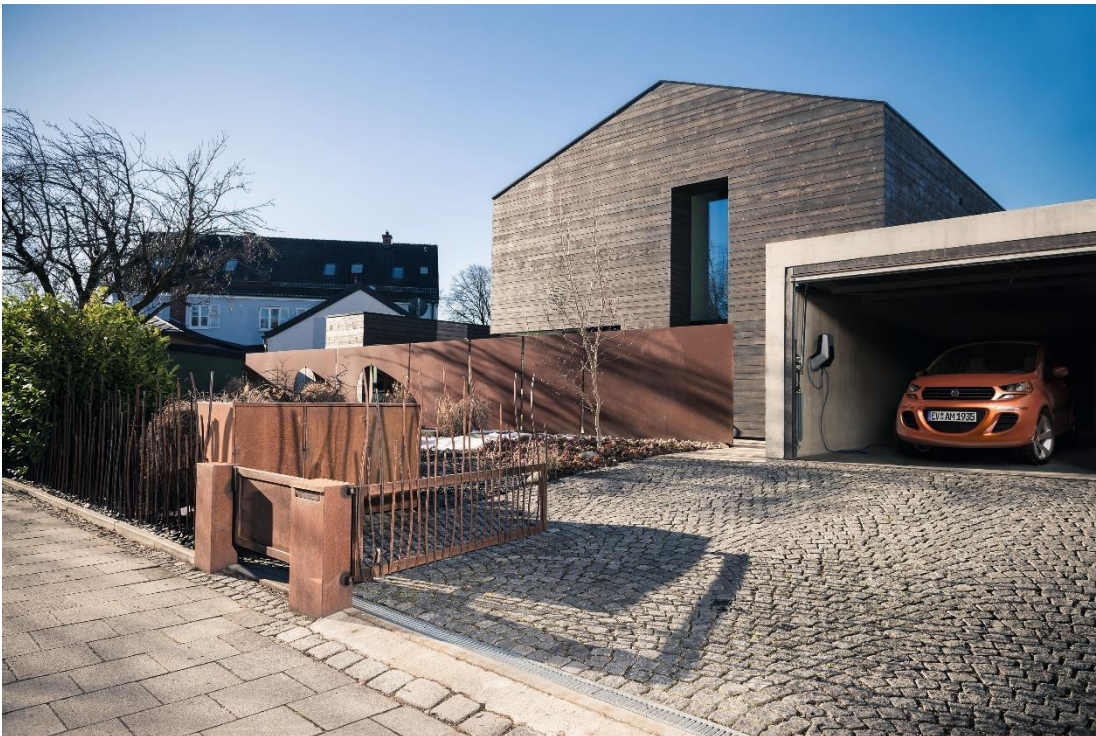
## Mounting distance [mm]



## References



Parking garage Hamburg warehouse district



Brochure „Charge up your day“

**MENNEKES**

Elektrotechnik GmbH & Co. KG

Aloys-Mennekes-Straße 1  
57399 KIRCHHUNDEM  
GERMANY

Phone: + 49 2723 41-1

Fax: + 49 2723 41-214

info@MENNEKES.de

[www.MENNEKES.com](http://www.MENNEKES.com)

[www.chargeupyourday.com](http://www.chargeupyourday.com)